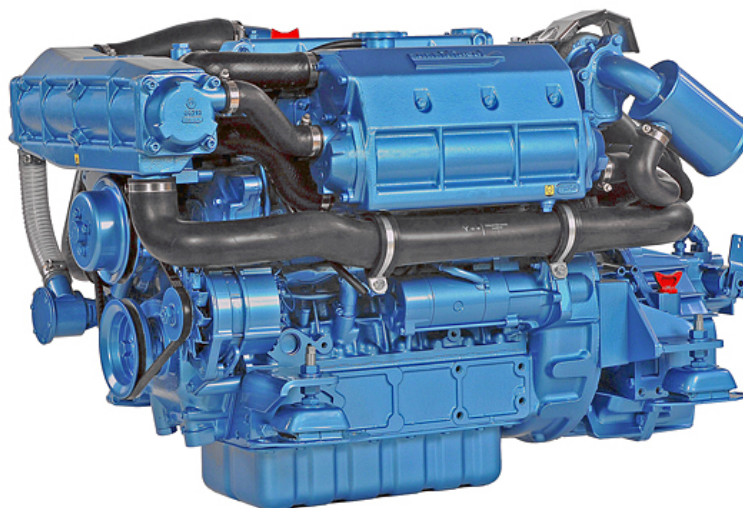


N4.140

Specifications



Power at crankshaft	99.4 kW [135 hp]	Engine base	Kubota
Displacement	3.769 l [230 in ³]	Fuel system	Mechanical direct injection
Configuration	4 cylinders in line	Air intake	Turbocharged with intercooler
Operation type	4 stroke Diesel	Cooling	Closed cooling with heat exchanger
Bore & Stroke	100 x 120 mm [3.94 x 4.72 in]	Max mounting angle	7° Front up 7° Front down
Compression ratio	19,1:1	Alternator	12 Volt 100 Amp
Rated speed	2600 rpm	Rating	M4
Idling speed	825 rpm	Emission compliance	RCD 94/25/EC BSO 2
Peak torque	453.6 Nm		
Peak torque speed	1600 rpm		
Dry weight	353 kg [778 lbs]		

N4.140

99.4 kW [135 hp] at 2600 rpm

TECHNICAL DESCRIPTION

Engine block

- 4 cylinders in line
- 4 valves per cylinder
- Gear-driven valve train
- Watercooled exhaust manifold

Fuel system

- Mechanical governor
- Cam driven in-line injection pump
- Fuel feed pump
- Fuel filter with hand primer

Lubrication system

- Replaceable full-flow oil filter
- Oil dipstick
- Oil drain pump

Cooling system

- Closed cooling with heat exchanger
- Gear driven self-priming raw water pump
- Coolant circulating pump
- Water cooled exhaust elbow

Electrical system & Instrumentation

- 12V Electrical system
- 12V 100A alternator
- Electric starter motor
- Electric stop function
- Instrumentation panel, including Start/Stop, tachometer, coolant temperature & oil pressure indicators, alarms
- Extension cable harness with plug-in connection

Air intake

- Turbocharged with intercooler
- Mounted air cleaner

Other features

- Flexible engine mounting
- Bracket for control cables

Optional equipment & accessories

- Keel cooling adaptation
- Complete marine propulsion systems
- Throttle and shift controls
- Additional instrumentation, Flying bridge extension harness
- 24V 55A alternator
- 24V Electrical system
- Engine mounting adaptation
- Two pole electrical system
- Water boiler systems
- Stuffing box connections
- Complete fuel systems
- Complete exhaust systems
- Trolling valve

RATING

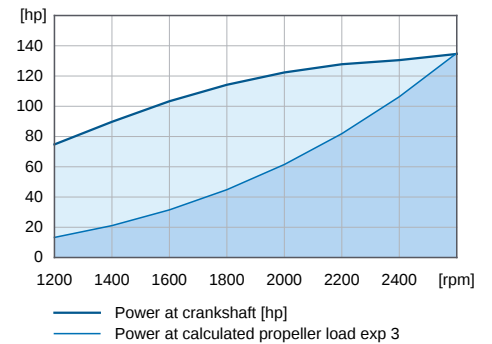
- Up to 3000 annual operating hours
- Load factor up to 40%
- Full power for no more than 1 hour out of each 12 hours of operation. The remaining operation time must be at or below cruising speed

TRANSMISSIONS

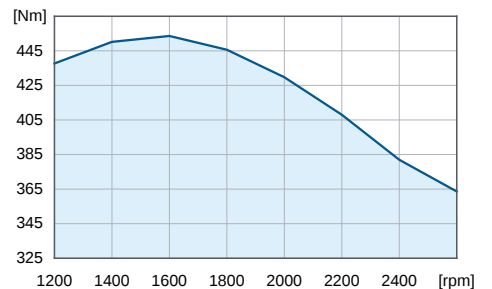
Contact your local dealer for more details and availability for transmission model and type.

PERFORMANCE CURVES

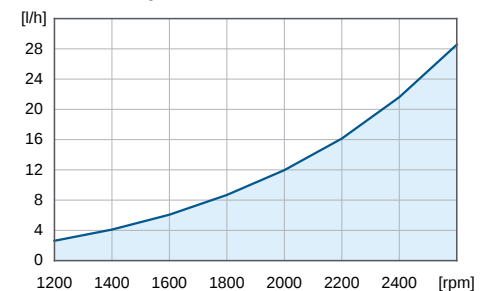
Power at crankshaft



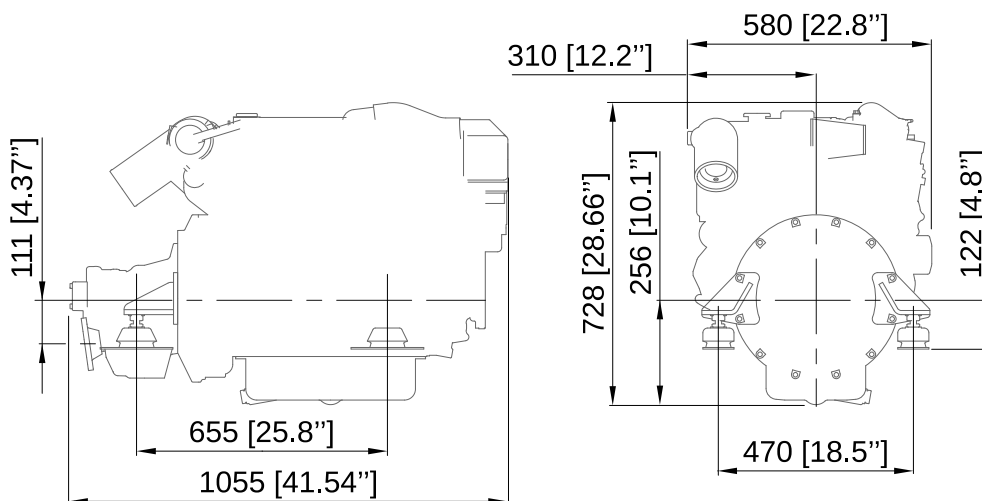
Torque at crankshaft



Fuel consumption



DIMENSIONS WITH TM345A



Nanni Diesel Australia

26/17-21 Bowden Street
Alexandria, NSW. 2015
Tel: +61 (0)2 9319 5222
engines@nannidiesel.com.au

Technical data according to ISO 8665. Specifications are subject to change without notice. Images and illustrations may show non standard equipments. All combination of equipment & accessory are not available.

20160212-C ENG